



ASSEMBLY INSTRUCTION

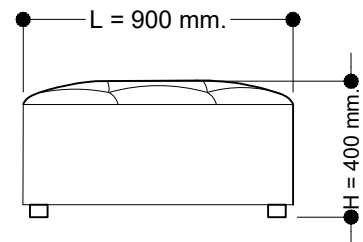
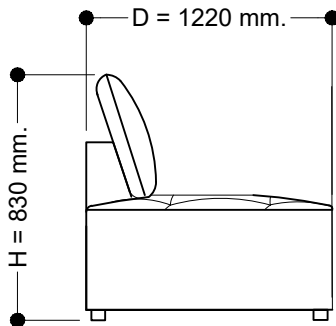
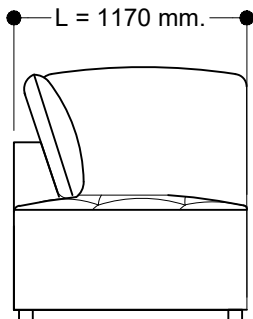
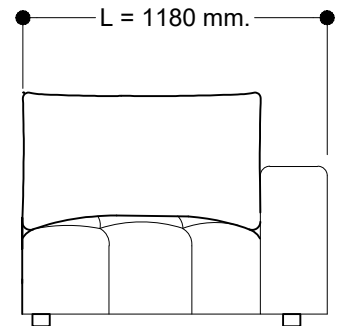
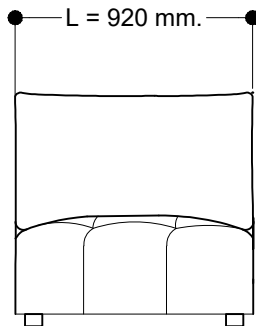
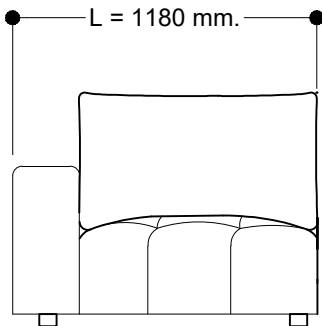
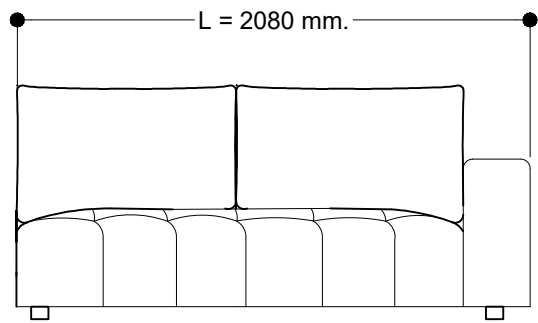
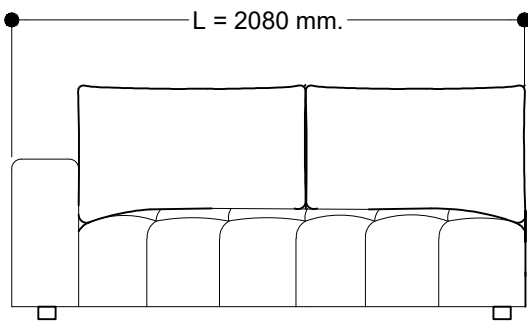
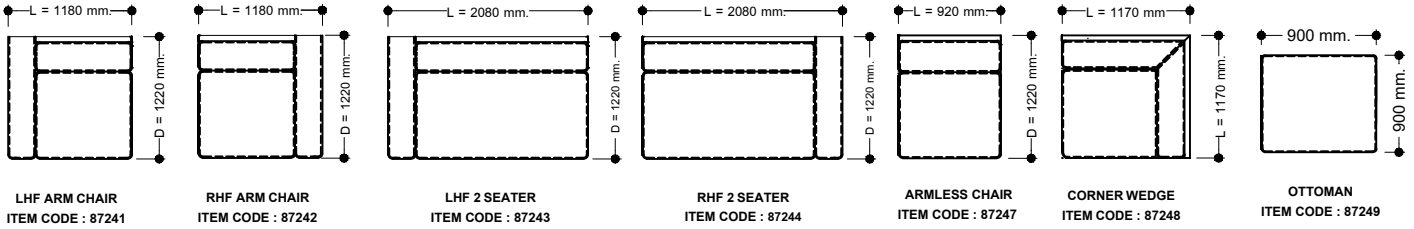
MAGNAR FABRIC - MODULAR

ITEM CODE : 87241,87242,87243,87244,87247,87248,87249

Imported by Amart Furniture Pty Ltd, Qld, Brisbane Australia.

For any assistance with assembly or for missing parts please phone

Amart Furniture, Customer Service Free call 1800 351 084



Imported by Amart Furniture Pty Ltd, Qld, Brisbane Australia.



For any assistance with assembly or for missing parts please phone

Amart Furniture, Customer Service Free call 1800 351 084




PRE-ASSEMBLY PREPARATION

Before you start :

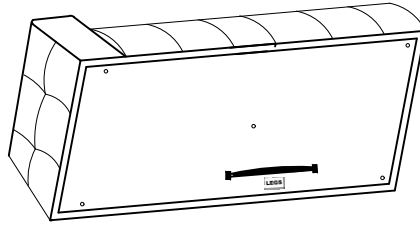
1. Choose a clean, level, spacious assembly area. Avoid hard surfaces that may damage the product.
2. Take care when lifting. Product should be assembled as near as possible to the point of use.
3. Ensure that you have all required contents for complete assembly.
4. Always read the assembly instructions carefully before beginning assembly.
5. Keep all hardware parts and packaging out of reach of small children.
6. Do not over-tighten the screws bolts as this may damage the threads.


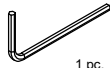

	
ALLOW 20 MINUTES	2 PEOPLE REQUIRED

PARTS LIST

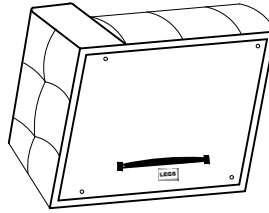
<p>A : BOLT M8 x 65 mm</p>  <p>5 pcs.</p>	<p>B : Hexagon key M5</p>  <p>1 pc.</p>	<p>C : FEET</p>  <p>5 pcs.</p>
--	--	--




① : LHF 2 SEATER /
RHF 2 SEATER



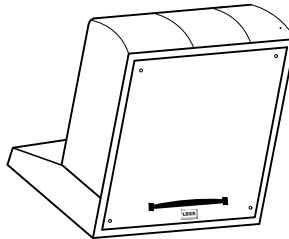
<p>A : BOLT M8 x 65 mm</p>  <p>4 pcs.</p>	<p>B : Hexagon key M5</p>  <p>1 pc.</p>	<p>C : FEET</p>  <p>4 pcs.</p>
--	--	--




② : LHF ARM CHAIR /
RHF ARM CHAIR



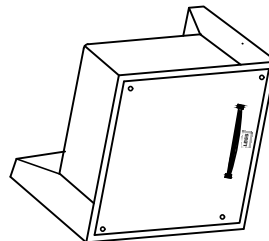
<p>A : BOLT M8 x 65 mm</p>  <p>4 pcs.</p>	<p>B : Hexagon key M5</p>  <p>1 pc.</p>	<p>C : FEET</p>  <p>4 pcs.</p>
---	---	---




③ : ARMLESS CHAIR



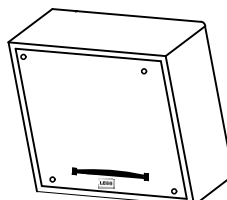
<p>A : BOLT M8 x 65 mm</p>  <p>4 pcs.</p>	<p>B : Hexagon key M5</p>  <p>1 pc.</p>	<p>C : FEET</p>  <p>4 pcs.</p>
--	--	--

④ : CORNER WEDGE

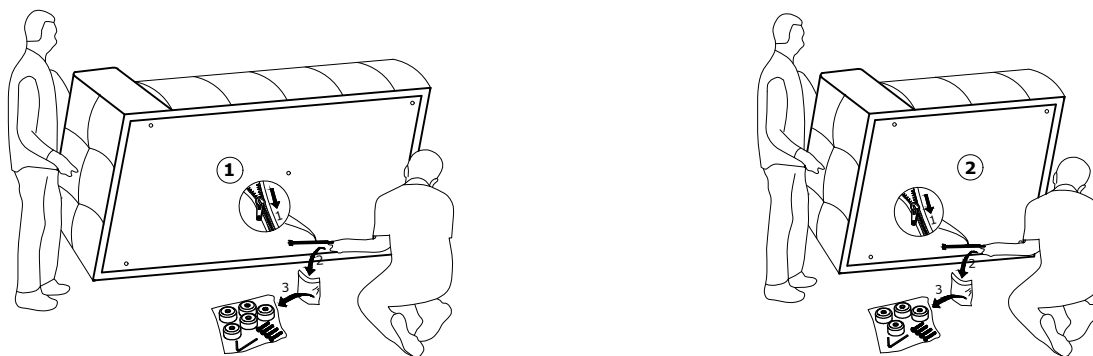


<p>A : BOLT M8 x 65 mm</p>  <p>4 pcs.</p>	<p>B : Hexagon key M5</p>  <p>1 pc.</p>	<p>C : FEET</p>  <p>4 pcs.</p>
--	--	--

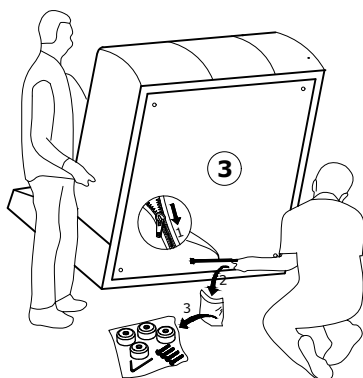
⑤ : OTTOMAN



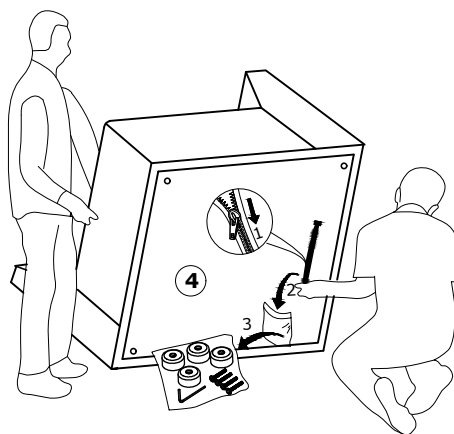
STEP 1 : With 2 people carefully turn the 2seater or arm chair over onto a sheet or a piece of cardboard unzip and remove the parts from the dust cover underneath the 2seater or arm chair.



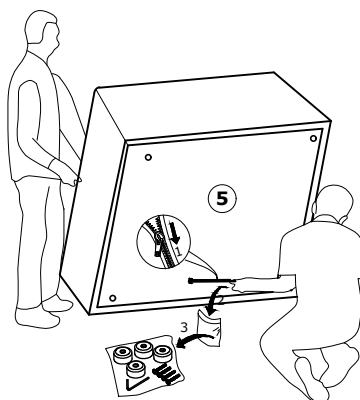
STEP 2 : With 2 people carefully turn the armless chair over onto a sheet or a piece of cardboard unzip and remove the parts from the dust cover underneath the armless chair.



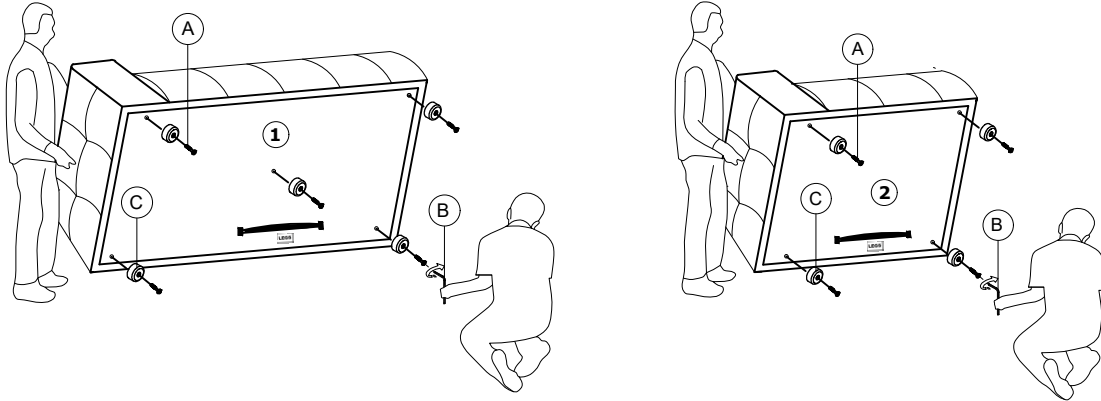
STEP 3 : With 2 people carefully turn the corner wedge over onto a sheet or a piece of cardboard unzip and remove the parts from the dust cover underneath the corner wedge.



STEP 4 : With 2 people carefully turn the ottoman over onto a sheet or a piece of cardboard unzip and remove the parts from the dust cover underneath the ottoman.

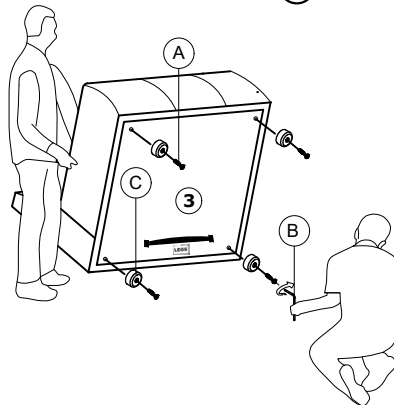


STEP 5 : Tighten the feet **(C)** to the 2seater or arm chair **(1) / (2)** with bolts **(A)** with tool **(B)**



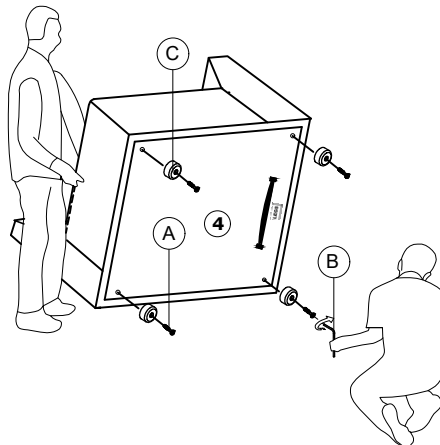
with either "1 person or 2 people" carefully turn the 2seater or arm chair back over

STEP 6 : Tighten the feet **(C)** to the armless chair **(3)** with bolts **(A)** with tool **(B)**



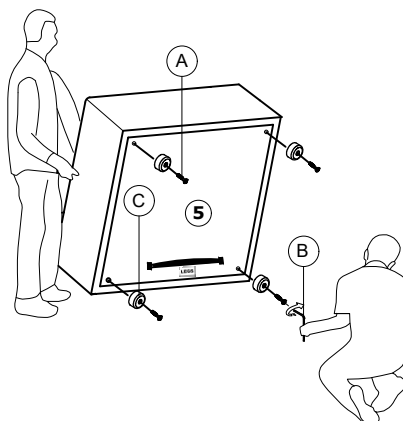
with either "1 person or 2 people" carefully turn the armless chair back over

STEP 7 : Tighten the feet **(C)** to the corner wedge **(4)** with bolts **(A)** with tool **(B)**



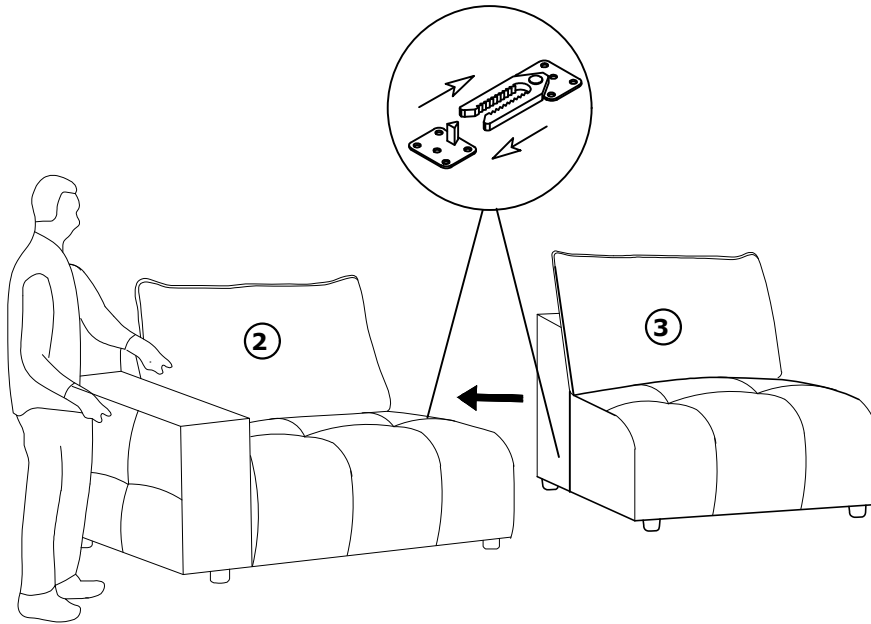
with either "1 person or 2 people" carefully turn the corner wedge back over

STEP 8 : Tighten the feet **(C)** to the ottoman **(5)** with bolts **(A)** with tool **(B)**

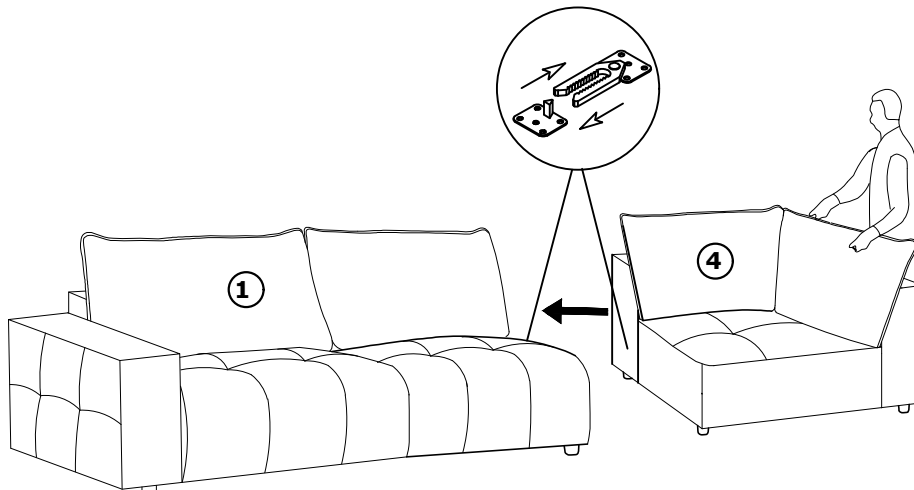


with either "1 person or 2 people" carefully turn the ottoman back over

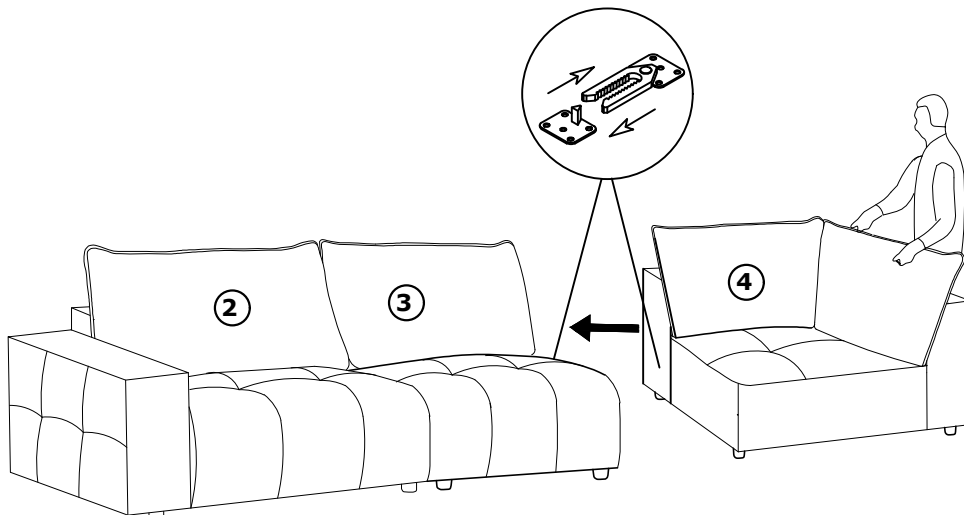
STEP 9 : Attach armless chair to LHF arm chair with the connectors.



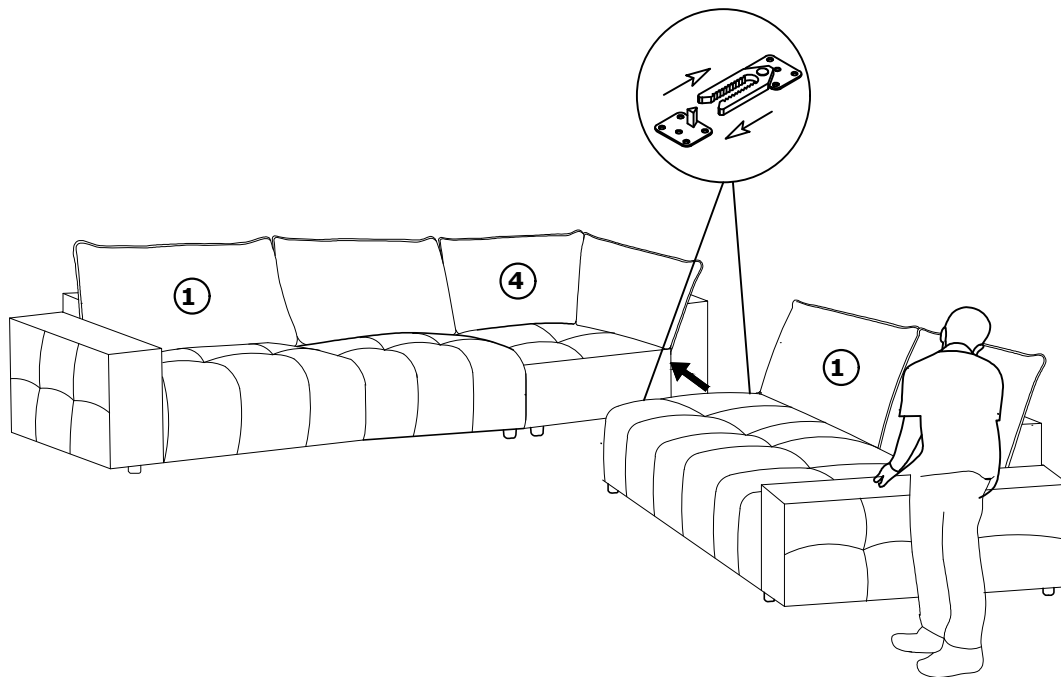
STEP 10.1 : Attach corner wedge to LHF 2 seater with the connectors.



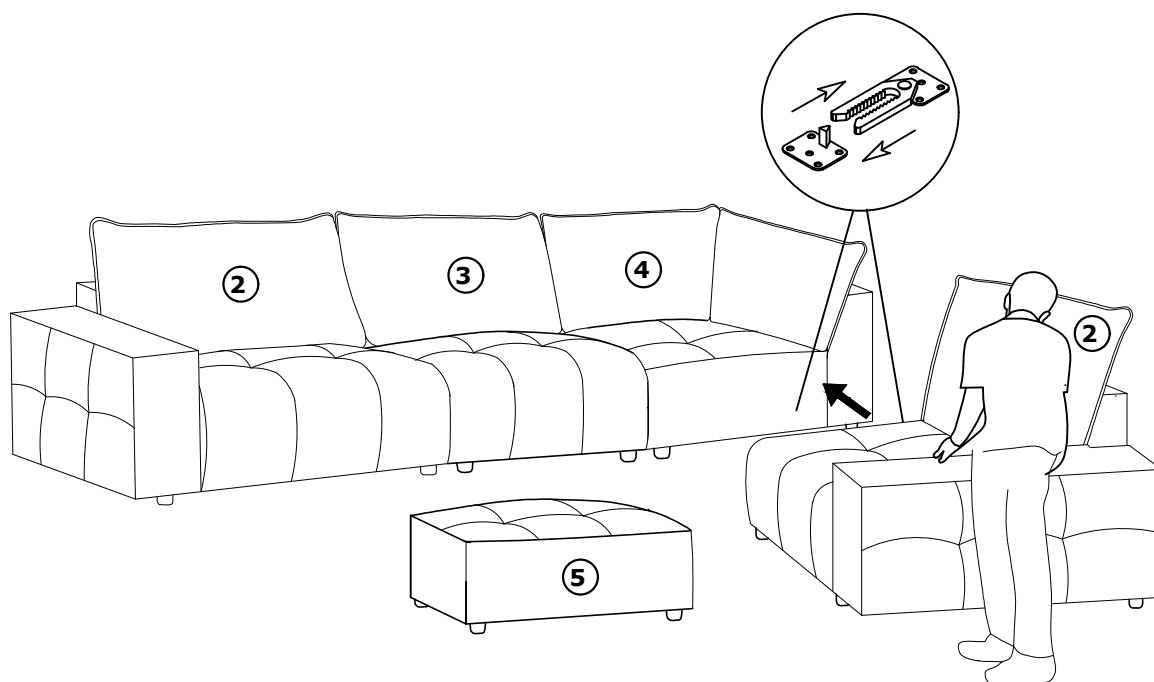
STEP 10.2 : Attach corner wedge to armless chair with the connectors.



STEP 11.1 : Attach RHF 2 seater to corner wedge with the connectors.



STEP 11.2 : Attach RHF arm chair to corner wedge with the connectors.



Product Care for Fabric Items

REGULAR CARE:

- Protect from direct sunlight
- Vacuum regularly using low suction
- Rotate reversible cushions regularly
- Avoid exposure to new clothing, cushions or throws as this may lead to dye transfer and permanent staining

CLEANING:

- Do not remove cushion covers for separate cleaning even though they may have zippers
- Do not wash, Do not dry clean, Do not shampoo clean
- Clean only with hot water extraction machine. Professional cleaning recommended
- Do not use dishwashing liquid or laundry detergent. Use only upholstery detergents
- Do not wet filling
- Dry in shade away from direct heat and sunlight
- Allow to dry thoroughly before re-use

SPOT CLEANING:

- Do not rub
- Do not spot clean with any solvent
- Treat spills and stains as soon as possible
- Gently scrape off any soil or blot any liquid from the surface of the fabric before applying cleaner
- Apply proprietary cleaning agents strictly according to instructions to remove the residue of the spill
- Do not saturate the fabric or interior with water or other cleaning liquids

WARNING:

Apply only water-based soil resist (fabric protection) treatments. Do not use aerosol products

* PILLING IS NOT A FABRIC DEFECT OR FAULT AND IS NOT COVERED BY WARRANTY

* PILLING IS A NORMAL OCCURRENCE IN WOVEN FABRICS AND DOES NOT AFFECT THE DURABILITY OR FUNCTIONALITY OF THE FABRIC. IT IS EASILY REMOVED BY USE OF A BATTERY OPERATED DE-PILLING MACHINE AS THE NEED ARISES